

Accessories

Part Number	Description
315.4100	Threaded anchor
013.0008	Galvanized steel pipe elbow with upper threaded end only
315.3210	Galvanized steel pipe elbow with both threaded ends
013.0010	Set of two ryton rings for receptacle support inside pipe elbow
315.1228	Base L-867, Class I, Size B, 24" deep
013.0023	Baseplate for L-867 base (two cable threaded entries) with gasket and cable clamps
013.0024	Baseplate for L-867 base (three cable threaded entries) with gasket and cable clamps
303.6160	Threaded coupling to lock the secondary plug-socket connection on pipe elbow or baseplate
332.3300	Positioning jig for threaded anchor for airport 2-lamp unit
332.3430	Positioning jig for threaded anchor for heliport 2-lamp unit
332.3420	Positioning jig for threaded anchor for airport 3-lamp unit
738.2002	Linear level
332.3390	Clinometer (aiming device)
334.5900	Breakable leg, 145 mm long
334.5905	Breakable leg, 195 mm long
334.5910	Breakable leg, 245 mm long
334.5915	Breakable leg, 295 mm long
334.5920	Breakable leg, 345 mm long
334.5925	Breakable leg, 395 mm long
334.5930	Breakable leg, 445 mm long
334.5935	Breakable leg, 495 mm long
334.5940	Breakable leg, 545 mm long
334.5945	Breakable leg, 595 mm long
334.5950	Breakable leg, 645 mm long

For any information about isolating transformers and connectors, please see the specific catalogue pages

Renewal Parts

Part Number	Description
334.6090	Top cover for two-lamp unit
334.6100	Top cover for three-lamp unit
760.3080	200 W tungsten-halogen lamp, 6.6 A, PK 30/d base
760.3160	100 W tungsten-halogen lamp, 6.6 A, PK 30/d base
810.2001	Optical glass front lens
712.3010	Silicone sealant cartridge, size 300 cc, suitable for 10 lens mounting
321.4110	Lens ring
319.3210	Front glass for 2-lamp unit
319.3220	Front glass for 3-lamp unit
162.4040	Reflector with lampholding plate for ICAO and heliport unit
162.4000	Reflector with lampholding plate for STANAG unit
318.4140	Tempered glass red filter for ICAO unit
318.4150	Tempered glass red filter for heliport and STANAG unit
339.0010	Standard breakable leg, 95 mm long
786.1001	Ring nut for breakable leg
334.5840	Front/Rear threaded rod for airport unit and rear threaded rod for heliport unit
334.5841	Front threaded rod for heliport unit
347.0060	Spherical joint for supporting column
347.0070	Spherical counterjoint for supporting column
323.2360	Cable lead, size 2 x 2.5 sq.mm, 1.000 m long, with L-823 plug
324.4010	1/2" cable gland with counternut



Via 2 Agosto 1980, 11
40016 - S. GIORGIO DI PIANO - BOLOGNA (ITALY)
tel: +39 051 6656611 - fax: +39 051 6650099
e-mail: ocem@ocem.com - web: www.ocem.com

PAPI

Precision Approach Path Indicator



PAPI

Compliances: **ICAO Annex 14**
NATO STANAG 3316

Applications

The PAPI system provides the pilot a positive visual indication of the aircraft position in respect to the optimal glide slope during the final approach to the runway.

An airport PAPI or APAPI system consists of four or two units in a line or bar respectively, each unit having two or three 200W lamps. The PAPI unit produces a beam of light, the upper portion being white, the lower red. As the pilot vertical position changes, the colour of the light as seen by the pilot changes instantaneously.

An heliport APAPI system consists of two units, installed symmetrical to the helipad axis, on the opposite side of the landing direction.

Features

FRANGIBILITY: to avoid damage to aeroplane in case of impact, particular care has been taken to reduce the size of the unit and to obtain the best possible frangibility.

BOX: sheet aluminium, with two or three circular front holes, housing the lenses. It contains two panels, for reflector and filter mounting respectively, and one plate for the linear level. Two suitable aluminium profiles are provided in the bottom to house the spherical joints fitted on the top of the four supporting columns. On request, a protection front glass can be mounted on the box.

SUPPORTING COLUMNS: four, each consisting of an aluminium standard leg with breakable groove, 95 mm long, to assure the frangibility of the unit, and an upper stainless steel threaded rod, to allow the precise adjustment (± 30 mm) in elevation and the fine levelling of the box. The standard distance between the optical axis and the concrete base is 360 mm.

How to order

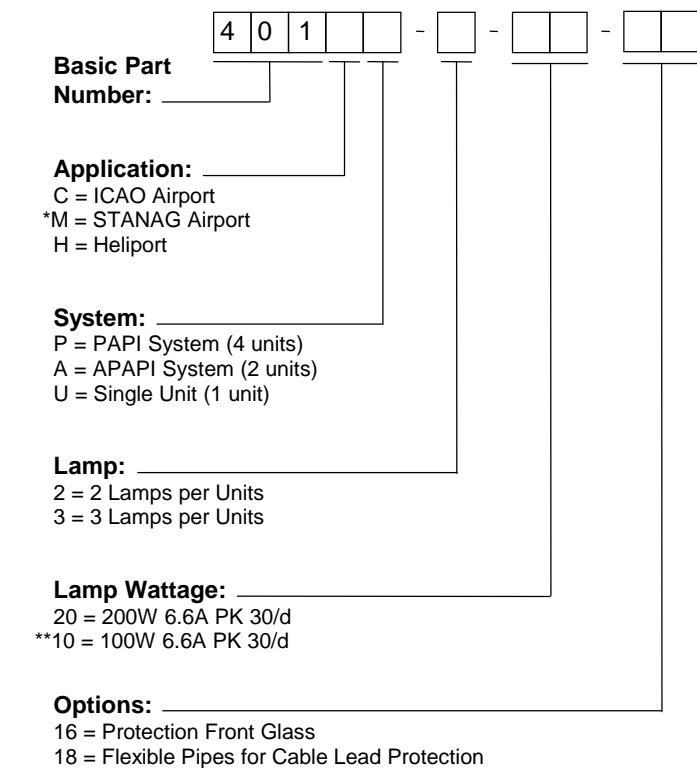
To the basic part number add the application code, the system type, the lamp number and the lamp type.

If required, any option can be added.

Order longer legs, isolation transformers, transformer housings, coverplates and gaskets, pipe elbows, primary connector kits and threaded anchors separately.

EXAMPLE:

401CP-2-200-16 is an ICAO Airport PAPI system including 4 standard units, each with two, 200W lamps, 6.6A, complete with protection front glass.



* = Only Three-Lamp Type

** = Only for Heliport

For greater distance longer legs are available.

TOP COVER: sheet aluminium, removable by releasing two padlockable stainless steel fasteners. The cover is longer than the box to protect the lenses from rain and sunlight.

OPTICAL SYSTEM: the focal stability of the optical system is assured by the robust and frangible frame, which embodies the panels for lenses, filters and reflectors. It consists of two or three catadioptric assemblies, each including the optical glass front lens, the red glass filter, the pure, polished and anodized reflector and the lamp.

LAMPS: one 200W or 100W tungsten-halogen lamp, 6.6A, PK 30/d base, 1000 hour rated life, with male faston cable leads, is fitted in each reflector.

CABLE LEADS: one for each lamp, rubber insulated and neoprene sheathed, size 2 x 2.5 sq.mm, 1.000 m long, with FAA L-823 plug. On request, each cable lead can be supplied complete with a galvanized steel flexible pipe, PVC sheathed, for mechanical protection.

GROUNDING: a suitable screw is provided.

INSTALLATION: each light unit has to be mounted at the designed

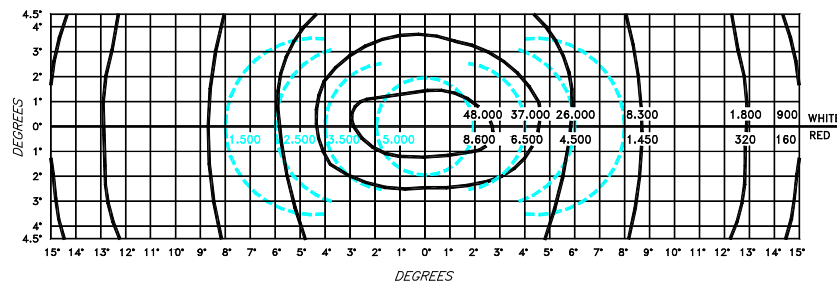
position and elevation on a concrete slab, containing a pit or a sheet steel base housing the isolation transformer. The legs with breakable groove must be screwed on threaded anchors, which are to be cast into the concrete slab; a positioning jig can be supplied for their precise installation.

REGULATION: a set of equipment is supplied for regulation and checking of each PAPI and APAPI system, including:

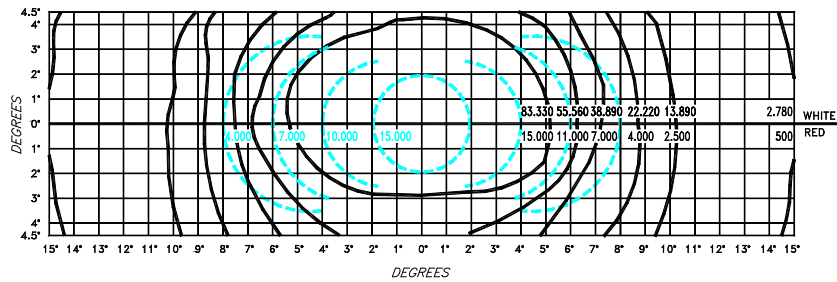
- a linear level to check the transversal levelling of the unit;
- a clinometer to check the vertical aiming of the unit.

Technical Data

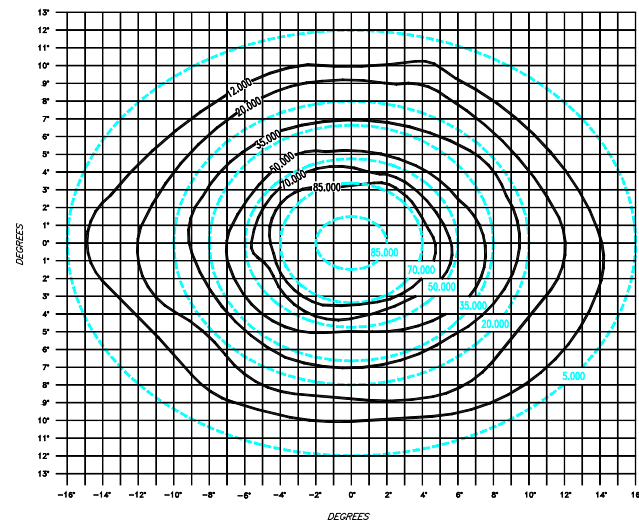
- 401H light
- Isocandle curves with two 100W - 6.6A lamps
- White / Red light



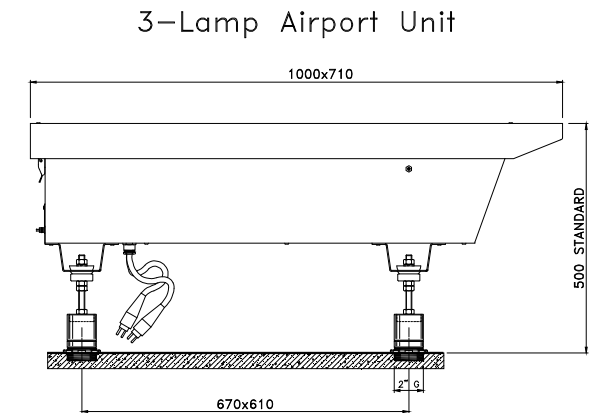
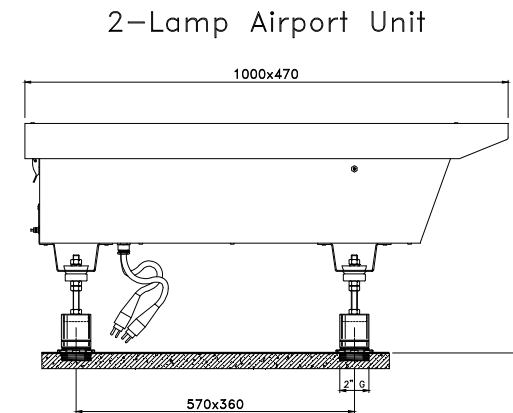
- 401C light
- Isocandle curves with two 200W - 6.6A lamps
- White / Red light



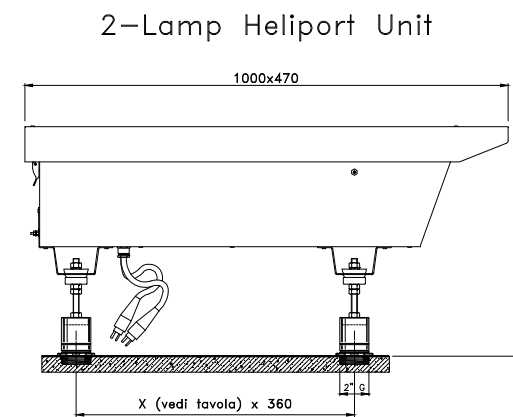
- 401M light
- Isocandle curves with three 200W - 6.6A lamps
- White light



Outline Drawing



Dimensions in mm.



Setting angle	X (in mm)
$\geq 1^\circ \leq 6^\circ$	570
$\geq 6^\circ \leq 9^\circ$	565
$\geq 9^\circ \leq 12^\circ$	560
$\geq 12^\circ \leq 14^\circ$	555

PAPI Installation



Instruction Manuals: UT-MT-042 for 2-Lamp Airport Unit
 UT-MT-146 for 3-Lamp Airport Unit
 UT-MT-187 for 2-Lamp Heliport Unit

	401CU-2	401MU-3 401CU-3	401HU-2
Shipping Weight	19.0 Kg	29.0 Kg	19.0 Kg
Shipping Volume	0.220 cu.m	0.330 cu.m	0.220 cu.m