



FEAC

APPROACH ELEVATED UNIDIRECTIONAL FLASHING LIGHT



COMPLIANCES

ICAO: Annex 14 - Volume I para 5.3.4

FAA: L-849A-E AC150/5345-51

NATO: STANAG 3316

APPLICATIONS

Flashing lighting systems may supplement CAT I, II and III precision approach steady burning lighting systems, in particular operating conditions: for CATII and III 20 lights, for CAT I 30 lights, which flash in sequence towards the threshold beginning from the outer end of the system with a frequency of two cycles per second

BENEFITS

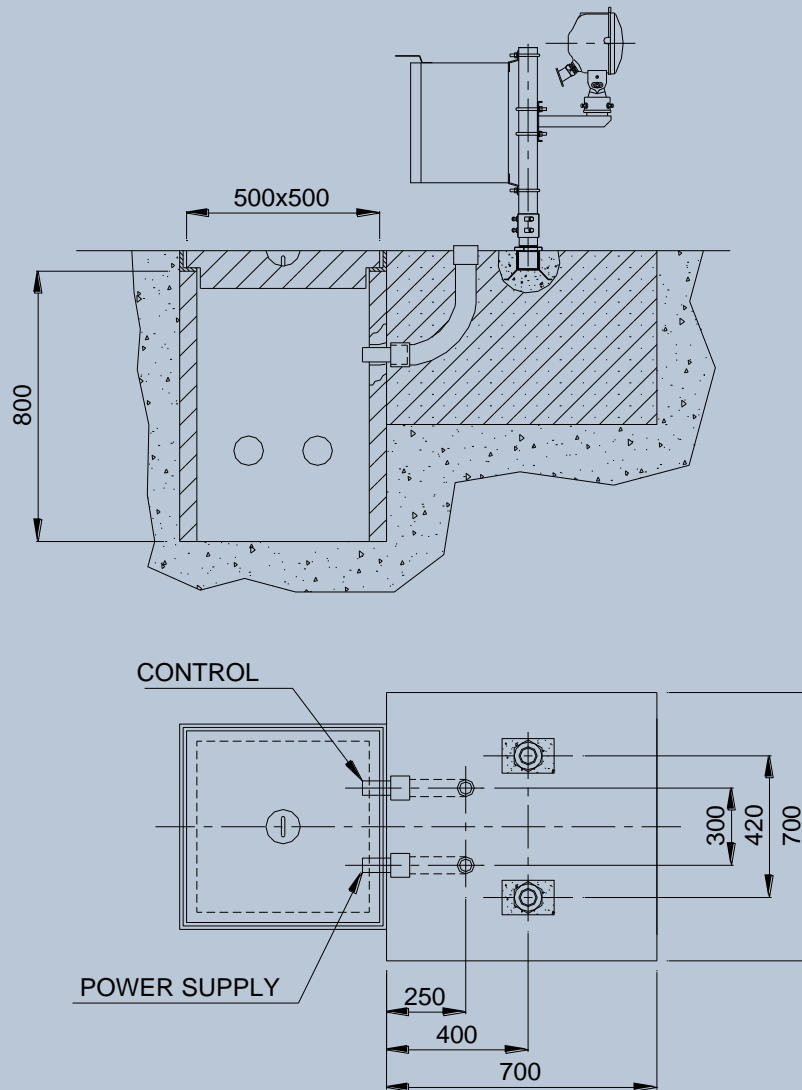
- Available for parallel or series power supply: 230 VAC \pm 10% or 2.8 A - 6.6 A * , 50-60 Hz
- All control boxes identical to each other, settable on site by means of dip-switches (selection Master/Slave, flashing frequency, location of the light in the flashing system)
- Power and control electronics mounted on withdrawable cards plugged with multiple connectors with safety mechanical interlock, to avoid wrong connections in case of improper insertion, for easy and quick maintenance
- Simple and quick installation: all the control boxes are interconnected by in-out wirings without the need of external junction boxes
- In the case of cold or humid environments, on request the control boxes may be equipped with heaters to be powered through a dedicated line

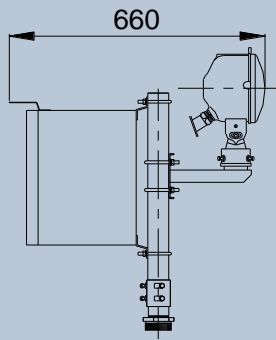
* Contact OCEM ET to exactly define the features of the constant current regulator

PERFORMANCES

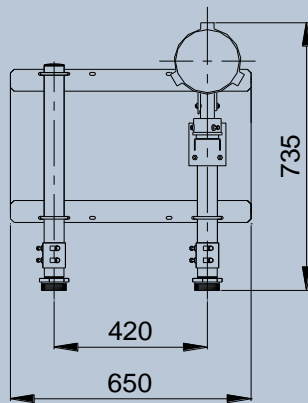
- Each light fixture consists of a flashing head and a control box, normally mounted on a common supporting structure provided with breakable couplings. The flashing head can be also separately mounted on independent pole with breakable coupling, available up to 2 m, or on frangible mast for higher mounting. Maximum distance between head and box: 50 m
- The lights may flash at the High Level only or at three High (100%), Medium (30%) and Low (10%) Levels
- Control boxes and flashing heads are equipped with safety microswitches to allow the quick discharge of the capacitors, when the control box door is open or the lamp is removed
- Overvoltage protections at the cable entries
- Control boxes complete with cable lead with L-823 plug , in case of series power supply
- Monitoring of the proper flashing of the lights
- Stainless steel control boxes with cable glands to protect the cable entries
- 1000 hours lamp rated life at High Level and two flashes per second, but greater in field operating conditions
- Power consumption at High Level: approx 250 VA *
- Protection degree: IP45
- Temperature range: -25°C to +55°C; -55°C when heaters are provided

* Contact OCEM ET to define the exact power consumption depending on the number of lights and power supply solution





Overall dimensions - Side view



Overall dimensions - Front view

OC62A- P - 3 - C - 007 - L1

Basic P/N: _____

Power Supply: _____

S = Series 2.8 A - 6.6 A

P = Parallel 230 VAC ± 10%, 50 Hz

Brightness Levels: _____

1 = Fixed

3 = Three Steps

Mounting Assembly: _____

C = Common (head and control box mounted on the same supporting structure)

N = Near (distance between head and control box ≤ 10 m)

F = Far (distance between head and control box > 10 m)

Wiring Length: _____

000 = Wiring NOT INCLUDED

007 = Standard Wiring (for Mounting Assembly "C" only)

..... = Length fixed by the Customer (in dm)

(for Mounting Assembly "N" or "F" only)

(Example: wiring length of 8.5 m - indicate 085)

Options: _____

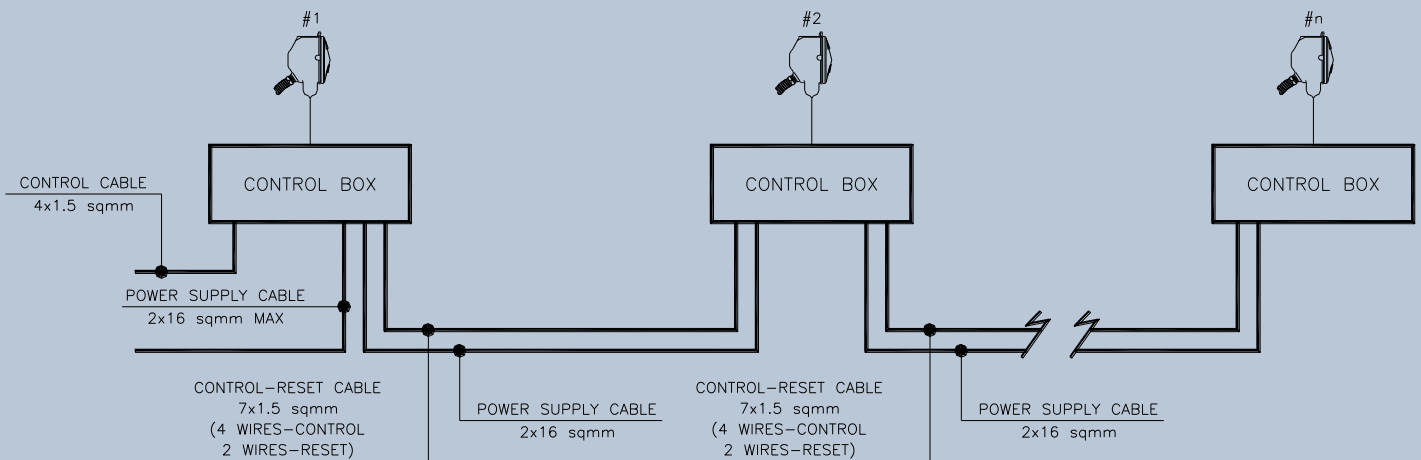
L1 = Cumulative Lamp Failure Monitoring

L2 = Selective Lamp Failure Monitoring (system including 21 lights maximum)

L3 = Selective Lamp Failure Monitoring (system including 30 lights maximum)

L4 = Power Supply Monitoring

ANT = Heater



THREE-STEP FLASHING SYSTEM

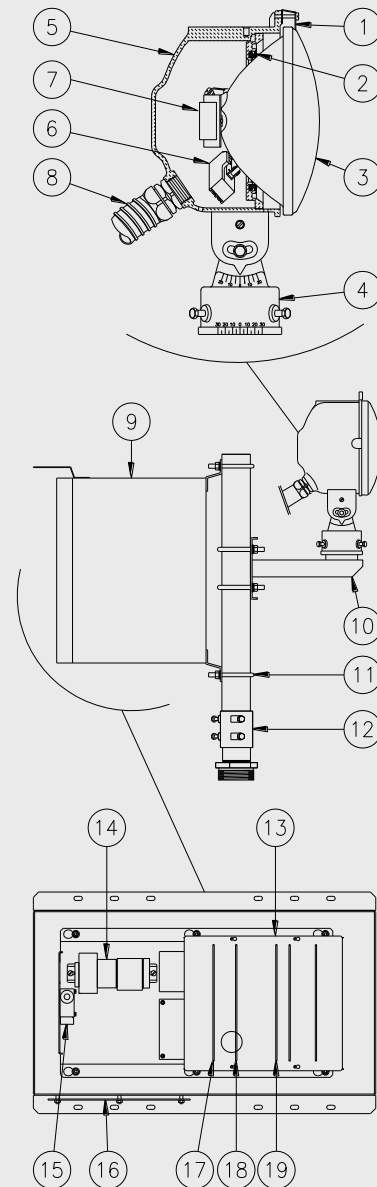
RENEWAL PARTS FOR LIGHT UNIT

- 1 Clip for lamp locking
- 2 Lamp gasket
- 3 HV1-734 lamp, QPAR-56
- 4 Graduated support for light aiming
- 5 Body for lamp housing
- 6 Safety microswitch for lamp body
- 7 Ignitor
- 8 Body-control box wiring with flexible pipe
- 9 Control box
- 10 Body-control box supportino structure
- 11 Collar for box mounting, complete with hardware
- 12 Breakable coupling for supporting structure
- 13 Plexiglass for electronic card protection
- 14 Terminal boards
- 15 Safety microswitch for control box
- 16 Cable glands
- 17 HV withdrawable card
- 18 Control withdrawable card
- 19 Power supply withdrawable card

Refer to the relevant technical manual for the complete list of the available spare parts

ACCESSORIES

- | | |
|----------|---|
| 315.4100 | Threaded anchor 2"-11 GAS |
| 303.7350 | Threaded floor flange 2"-11 GAS |
| 013.0008 | Galvanized steel pipe elbow with upper threaded end only (2" - 11 GAS thread) |
| 315.3210 | Galvanized steel pipe elbow with both threaded ends (2" - 11 GAS thread) |
| 013.0010 | Set of two ryton rings for receptacle support inside pipe elbow |
| 303.6190 | Threaded coupling to lock the secondary plug-socket connection on pipe elbow |
| 011.0517 | Special isolation transformer for series circuits 600 VA (CCR-SCR type) |
| 011.0524 | Special isolation transformer for series circuits 400 VA (CCR with sinusoidal output) |
| 315.3230 | Mounting pole 500 mm long, 2" dia |
| 315.3240 | Mounting pole 1000 mm long, 2" dia |
| 315.3250 | Mounting pole 1500 mm long, 2" dia |
| 315.3260 | Mounting pole 2000 mm long, 2" dia |
| 303.6130 | Breakable coupling for poles up to 500 mm |
| 303.6120 | Breakable coupling for poles between 500 and 1000 mm |
| 303.6110 | Breakable coupling for poles between 1000 and 1500 mm |
| 303.6100 | Breakable coupling for poles between 1500 and 2000 mm |
| 332.3270 | Levelling and alignment device for standard light fixture or for flashing head on 2" dia pole |
| 332.3240 | Levelling and alignment device for flashing head on frangible mast |
| 332.3170 | Supporting plate for device P/N 332.3240 |

**Shipping Weights and Volumes**

Weight (kg)	28	Flashing head and control box are shipped assembled on the supporting structure, except breakable couplings and lamp delivered separately
Volume (m³)	0.23	

We reserve the right to change the design or specification data without notice

UC-PU-0055_EN-Rev.D