

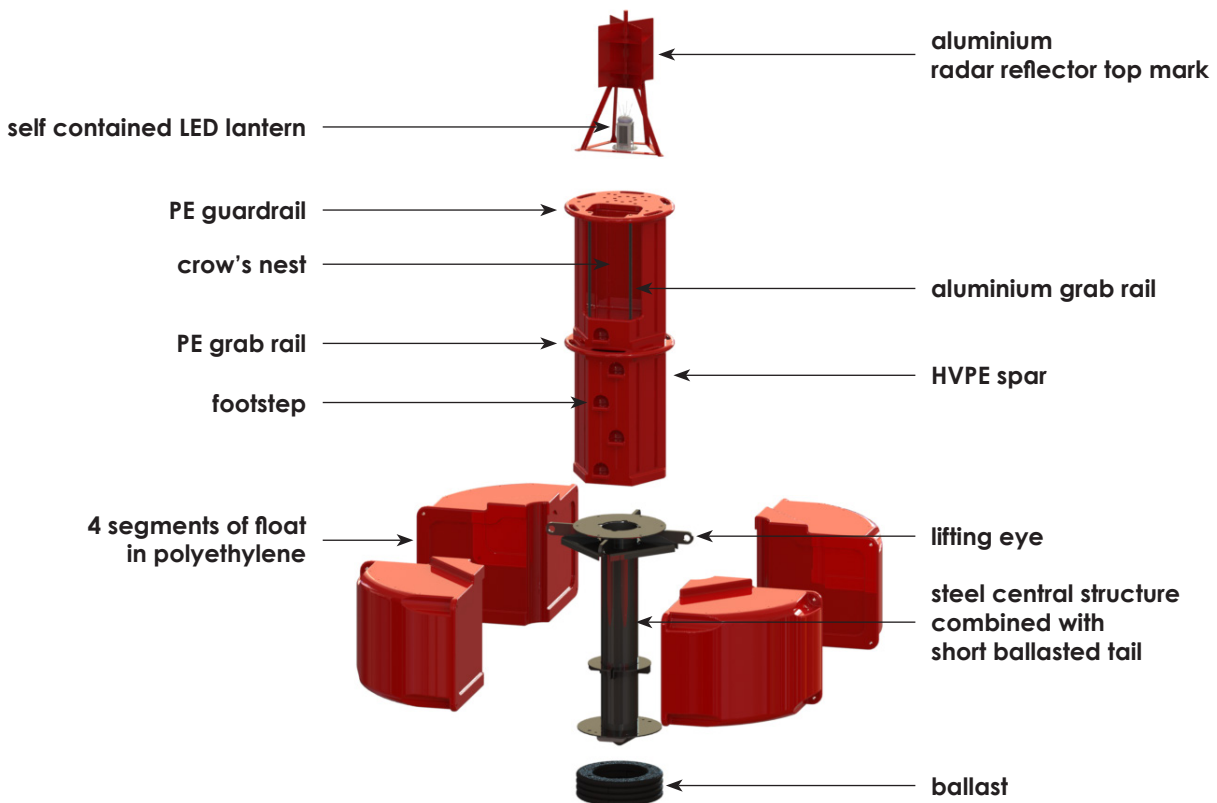
**Diameter: 2.5m  
Volume: 5.25m<sup>3</sup>**

The modular buoy GBM-2500 is intended for the beaconing of semi-exposed sites.

- 4 segments of float in polyethylene, with standard wall thickness 10mm (higher available upon request), colour stained in the mass and UV-stabilized, and filled with polystyrene foam (EPS)
- High Visibility Polyethylene (HVPE) or Aluminium (ALU) spar
- Central structure combined with skirt keel, short or long ballasted tail, in painted or galvanized steel



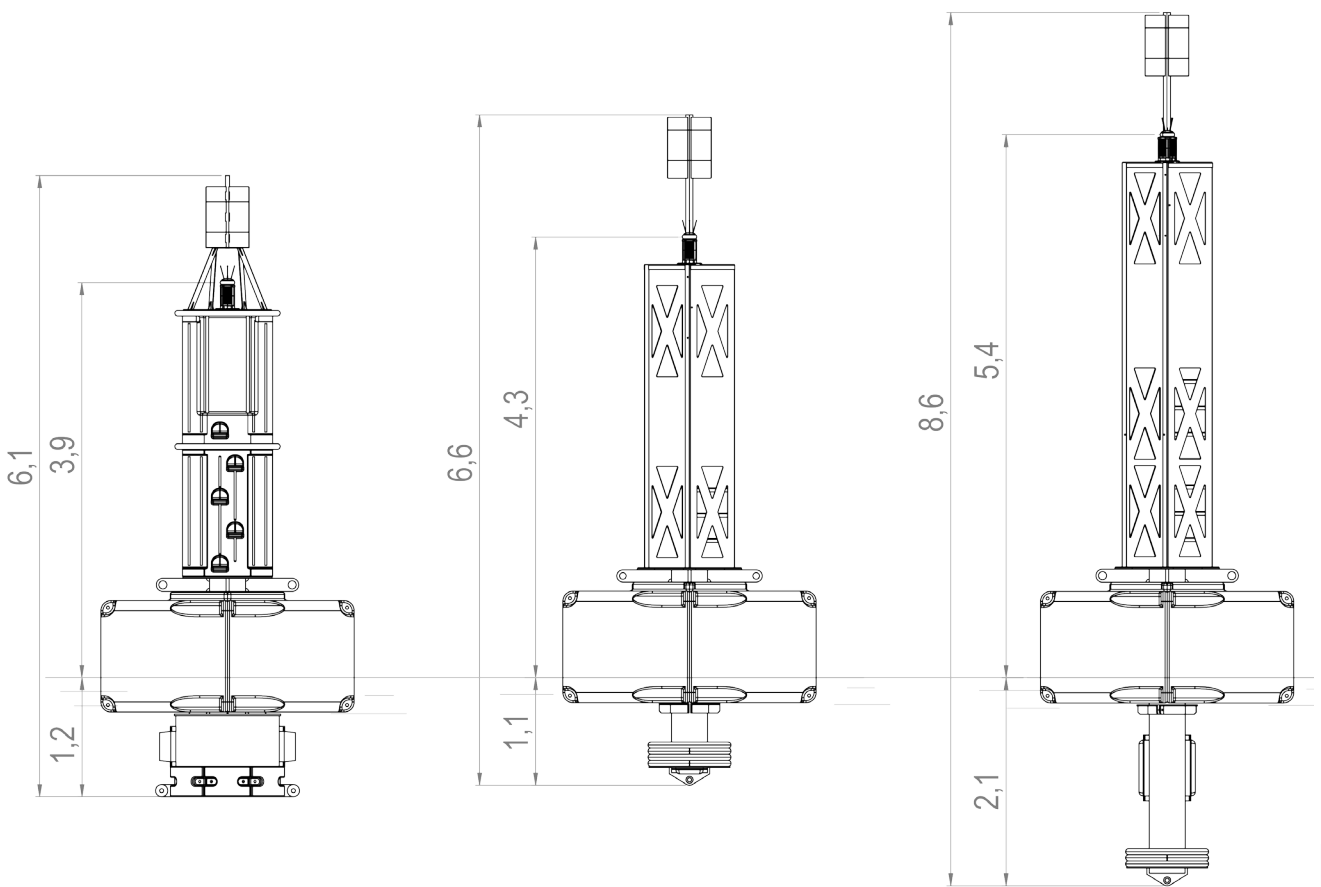
	GBM-2500
Float diameter (m)	2.5
Float volume (m <sup>3</sup> )	5.25
Float foaming	EPS
Reserve buoyancy (m <sup>3</sup> )	3.6 to 4
Focal plane (m)	3.9 to 5.4
Draught (m)	1.1 to 2.1
Overall height (m)	6.1 to 8.6
Ballast (kg)	390 or 520
Total weight (kg)	1,200 to 1,600



With an innovative modular design, the GBM-2500 is able to match various site conditions and client requirements.

## Option matrix

3 types of spar	3 types of steel structure
HVPE: 2.7m high	SK: Skirt Keel
ALU-3M: 3m high	ST: Short Ballasted Tail
ALU-4M: 4m high	LT: Long Ballasted Tail



**GBM-2500-SK-HVPE**

**GBM-2500-ST-ALU 3M**

**GBM-2500-LT-ALU 4M**

Specifications subject to change or variation without notice - Sept. 2015

