

Protonna

The spar buoys type PSB-430 and PSB-500 offer a cost effective solution for the beaconing of smaller ports, marinas, rivers and aquaculture applications.

- Polyethylene float with colour stained in the mass and UV-stabilized
- Used for inland water marking type recreational crafts (secondary markings) or for special areas marking: no entry, water ski area, speedboat areas...

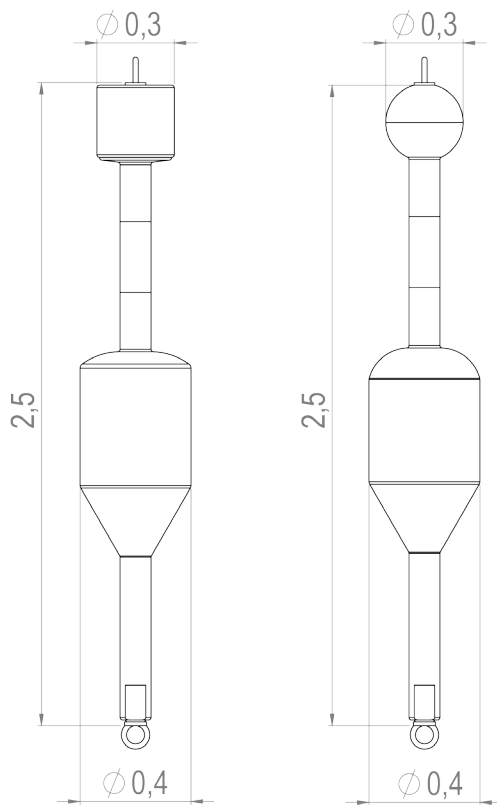


Options (for PSB-500 only)

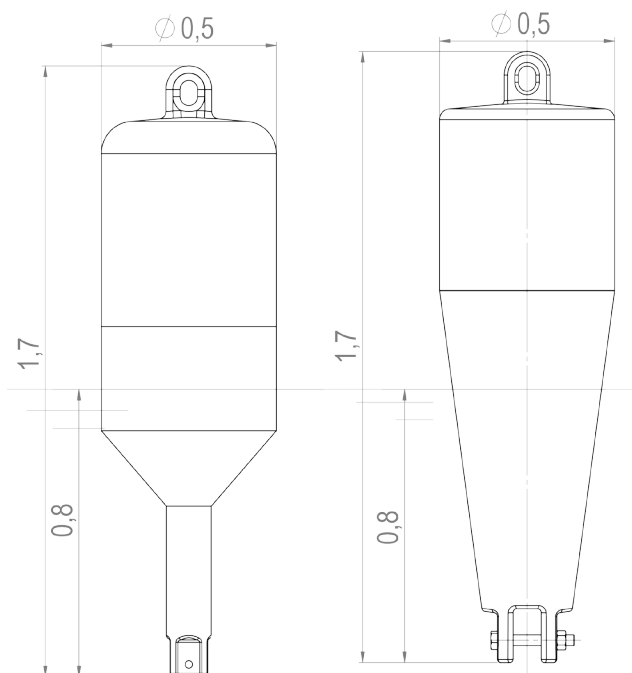
- Internal radar reflector 200mm
- 2NM self contained LED lantern
- Retro reflecting stripes for lateral marker buoys



	PSB-430	PSB-500
Diameter (m)	0.4	0.5
Overall height (m)	2.5	1.7
Buoy weight (kg)	11.4 to 12.4	18
Necessary anchor weight (kg)	20	30



PSB-430



PSB-500

Specification subject to change or variation without notice - Sept. 2015

