

Self contained lantern
1 to 2NM @ 0.74T



The VLB-1 is a LED marine beacon with high capacity solar system, designed to provide a range up to 2NM for a wide range of applications (fixed or floating) and locations.

- Vertical divergence: 4° or 9°
- Colours meet IALA chromaticity requirements
- LEDs temperature monitored for control intensity
- Automatic Schmidt-Clausen intensity correction
- Easy programming (TVIR programmer)
- Multiple effective intensity settings
- Programmable flash characters: 246 + 1 custom
- Day/night transition level settings
- Operation or storage mode
- Low battery cut off voltage
- Read battery voltage
- Stainless steel centre spike
- Ability to replace GEL or AGM batteries

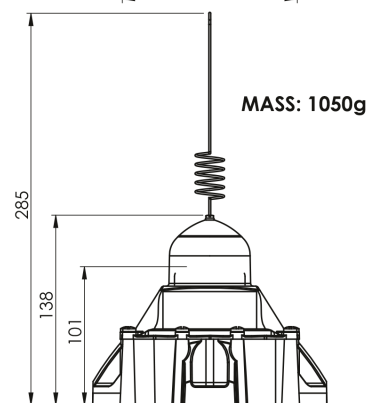
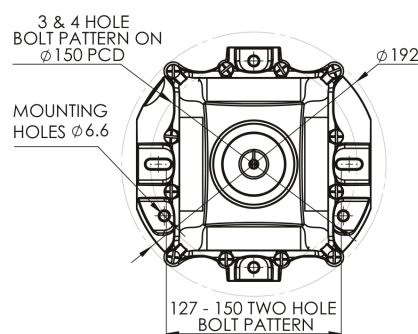
Options

- Switch (SWS) to put VLB-1 into storage mode
- Switch (SWB) to disconnect battery
- Charge Plug (CP) to allow external charging
- Mounting on 200mm PCD



	Self Contained
Solar	0.96W @ 6V
Battery	4.5Ah @ 4V

Body / Base	UV stabilized nylon
Lens	Moulded acrylic PMMA
Watertightness	IP 68
Shock / Vibration	75g / 5g in all directions
Weight (with battery)	1.05kg
Mounting	3 or 4-hole on 150mm PCD
Design life	12 years (excluding battery)



Specifications subject to change or variation without notice - Sept. 2015



A solar calculator is available online to simulate VEGA lights battery autonomy according to configuration and location: www.solar.vega.co.nz (calculators menu).

GISMAN is the authorized distributor for VEGA products in many countries. For further details, please contact us.