



LITE

LED INSET TAXIWAY EDGE LIGHT



COMPLIANCES

ICAO: Annex 14 - Volume I par. 5.3.18.8
FAA: L-852T(L) AC150/5345-46 and EB No.67
IEC: TS 61827
NATO: STANAG 3316
CAA: CAP 168
IAAE: TP312

APPLICATIONS

Taxiway edge for ICAO, FAA and military taxiways

BENEFITS

- 60000 hours LED rated life at full intensity, but over 100000 hours in field operating conditions
- In new installation, LED lights mean lower loads, lower size of CCRs and transformers, thus low life cycle costs
- The light output is variable like a traditional halogen lamp, as indicated by the FAA "Engineering Briefing No.67"
- Colour emitted directly by LEDs: absence of coloured filters ensures no energy losses and no colour shifts
- Fully compatible with existing AFL infrastructure*
- Designed with simplicity allowing longer maintenance intervals and fewer spare parts
- No use of sealant to fix the lens in the dome thanks to customized gasket, making its replacement quick and easy
- No optical adjustment after LED module or lens replacement
- Valve for watertightness test after overhaul
- Operating with any topology of CCRs designed in compliance with IEC or FAA requirements

* For monitored fixtures, isolation transformer max size: 200VA

PERFORMANCES

- The electronic is strong-built and highly resistant to shock and vibration
- Automatic adaptation to the frequency of the supply current
- A surge protection device is provided in the electronics as required by the FAA "Engineering Briefing No.67"
- Immediate detection of an internal fault
- 6.35 mm protrusion strongly reduces vibrations to aircrafts and to light itself, increasing its lifetime
- Omnidirectional, 8" or 12" dia.
- Drop-forged dome and cast aluminium lower cover make the fitting sturdy, but lightweight too for ease handling in the field
- Light output not affected by heavy rainfall thanks to the flat surface of the dome
- O-Ring placed outside the dome to avoid dirt deposits between light and base
- Protection degree: IP67
- Temperature range: -55°C to +55°C

INSTALLATION

- Suitable for 8" or 12" dia. bases
- Adaptor ring for 8" light installation on 12" dia. bases
- Specific tools available for easy and precise installation

PHOTOMETRIC PERFORMANCES

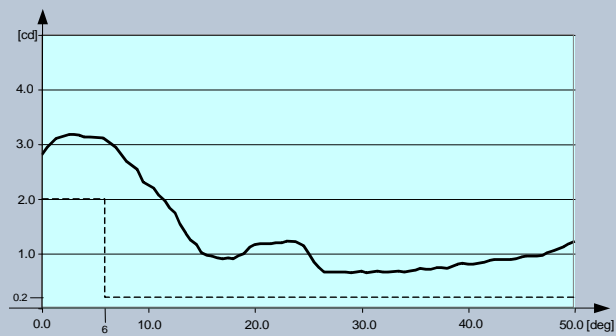


Fig. 1 ICAO par. 5.3.17.8 and FAA L-852T – Blue

TABLES

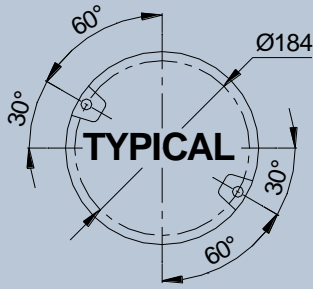
POWER CONSUMPTION*

Electrical System	1 Plug
Omnidirectional 8"-12" (w/o Arctic Kit)	8 VA
Omnidirectional 8" (with Arctic Kit)	28 VA
Omnidirectional 12" (with Arctic Kit)	48 VA

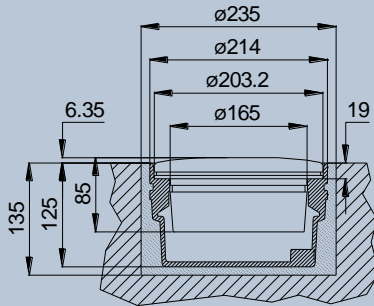
* Measured at 6.6 A and referred to the highest consumption configuration

POWER FACTOR

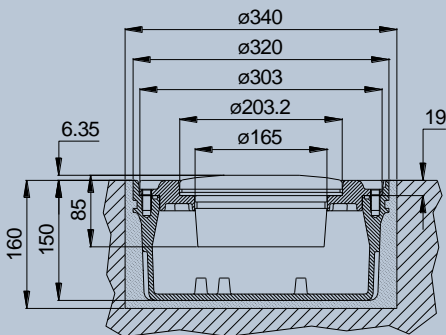
Input Step	2.8 A	6.6 A
Power Factor	0.96	0.98



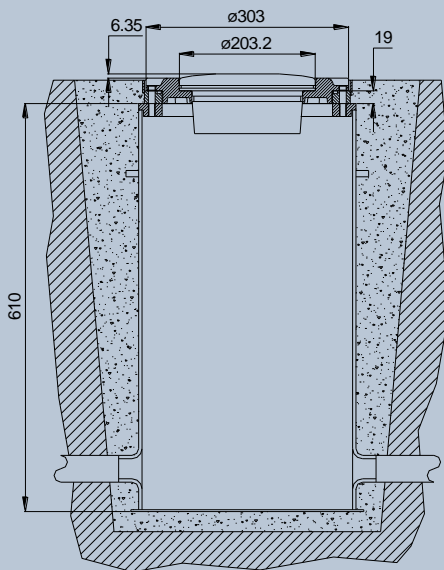
Light Fixture 8" dia.



Shallow Base 8" dia.



Shallow Base 12" dia.



L-868 Deep Base 12" dia.

LITE 08 - F - 0 - M - A

Basic P/N: _____

Bolt Circle Diameter: _____

- 08 = Suitable for 8" Shallow Base and 8" L-868B Deep Base
- 17 = Suitable for 12" L-867B Deep Base
- 18 = Suitable for 12" Shallow Base and 12" L-868B Deep Base

Compliance: _____

- I = ICAO - IEC
- S = STANAG
- F = FAA

Mounting Assembly: _____

- 0 = No Mounting Assembly
- R = Adaptor Ring 8"-12" dia.

Monitoring: _____

- 0 = Without Monitoring
- M = With Monitoring

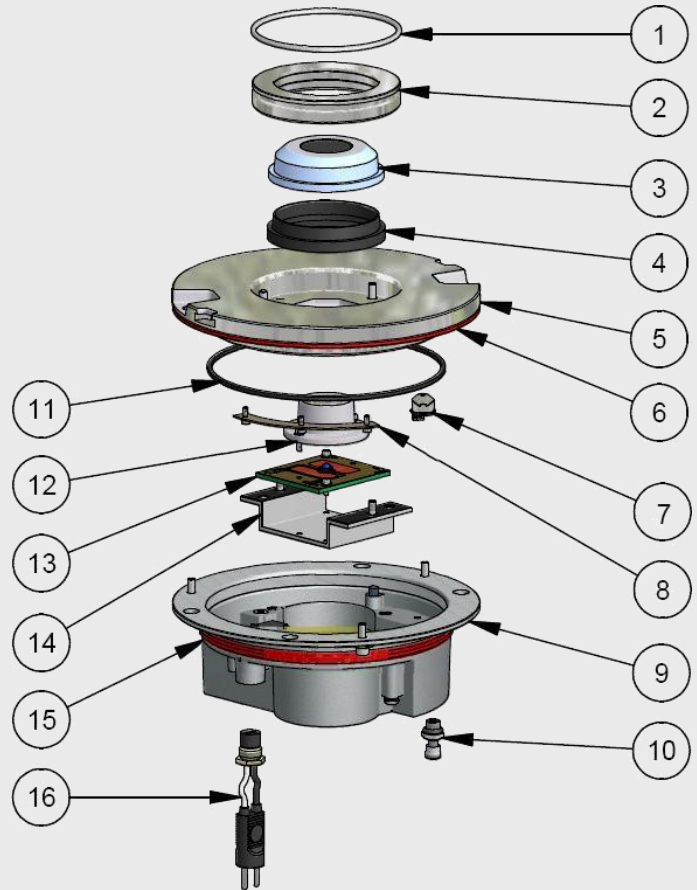
Arctic Kit: _____

- 0 = Without Arctic Kit
- A = With Arctic Kit

RENEWAL PARTS FOR LIGHT UNIT

- 1 O-Ring for aluminium lens holder
- 2 Aluminium lens holder
- 3 Lens
- 4 Lens gasket
- 5 Dome with lens and gaskets
- 6 O-Ring for dome
- 7 Arctic Kit thermostat
- 8 Arctic Kit heater
- 9 Lower cover with electronic, plug and valve
- 10 Valve for watertightness test
- 11 O-Ring for lower cover
- 12 Reflector with hardware
- 13 LED module with accessories
- 14 LED module support with hardware
- 15 Lower cover gasket
- 16 FAA L-823 plug

Refer to the relevant technical manual for the complete list of the available spare parts

**ACCESSORIES**

- 315.1228 Base L-867, Class IA, size B, 24" Deep
 315.1230 Base L-868 type, class IA, size B, 24" deep *
 315.1420 Flange ring with pavement dam for L-868 base, size B, with O-Ring and bolts
 152.5251 Shallow base, 8" dia., one cable lead, with hardware
 152.8110 Shallow base, 12" dia., one cable lead, with gasket and hardware
 152.6116 Adaptor Ring 8"-12" dia. complete with hardware
 712.1034 Setting material for shallow base, 10 lt
 712.1035 Quartz for shallow base, 25 kg
 332.4301 Positioning jig for 8"-12" dia. shallow base, without optical device
 332.4140 Lifting tool (2 pieces to work properly)

* Sectional bases may be required depending upon the paving technique

For any information about isolating transformers and connectors, please see the specific catalogue pages

8" Shipping Weights and Volumes

	Light Unit	Shallow Base	Light Unit & Adaptor Ring
Weight (kg)	3.0	3.2	6.15
Volume (m ³)	0.007	0.007	0.013

12" Shipping Weights and Volumes

	Light Unit	Shallow Base
Weight (kg)	5.0	7.3
Volume (m ³)	0.022	0.022

We reserve the right to change the design or specification data without notice

UC-PU-0261_EN-Rev.b